

main Sw:

2.5mm² x 2

2.5mm²

MS

L

L

L

L

L

L

L

L

L

L

L

L

L

L

L

L

L

L

L

L

L

L

L

L

L

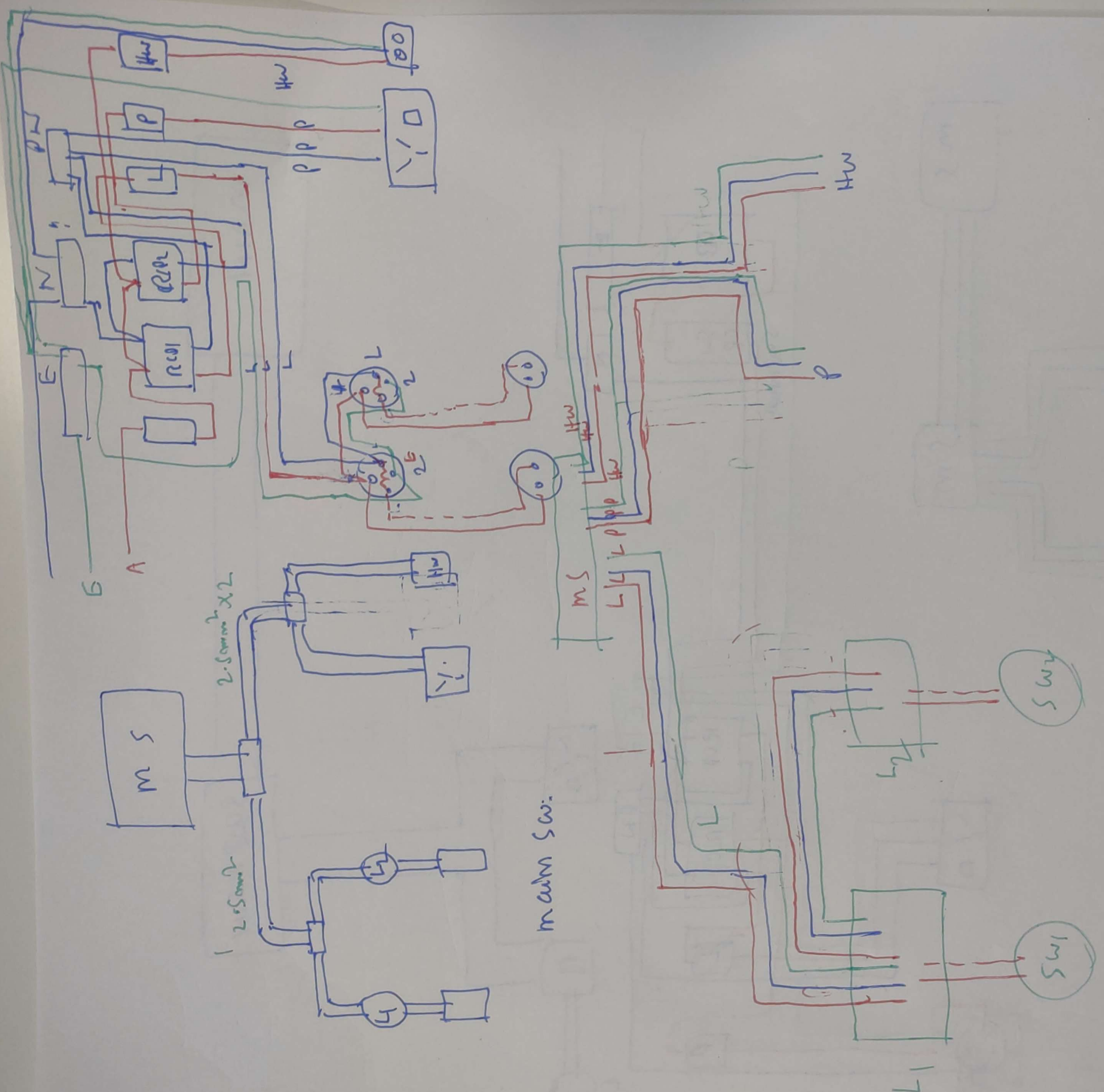
L

L

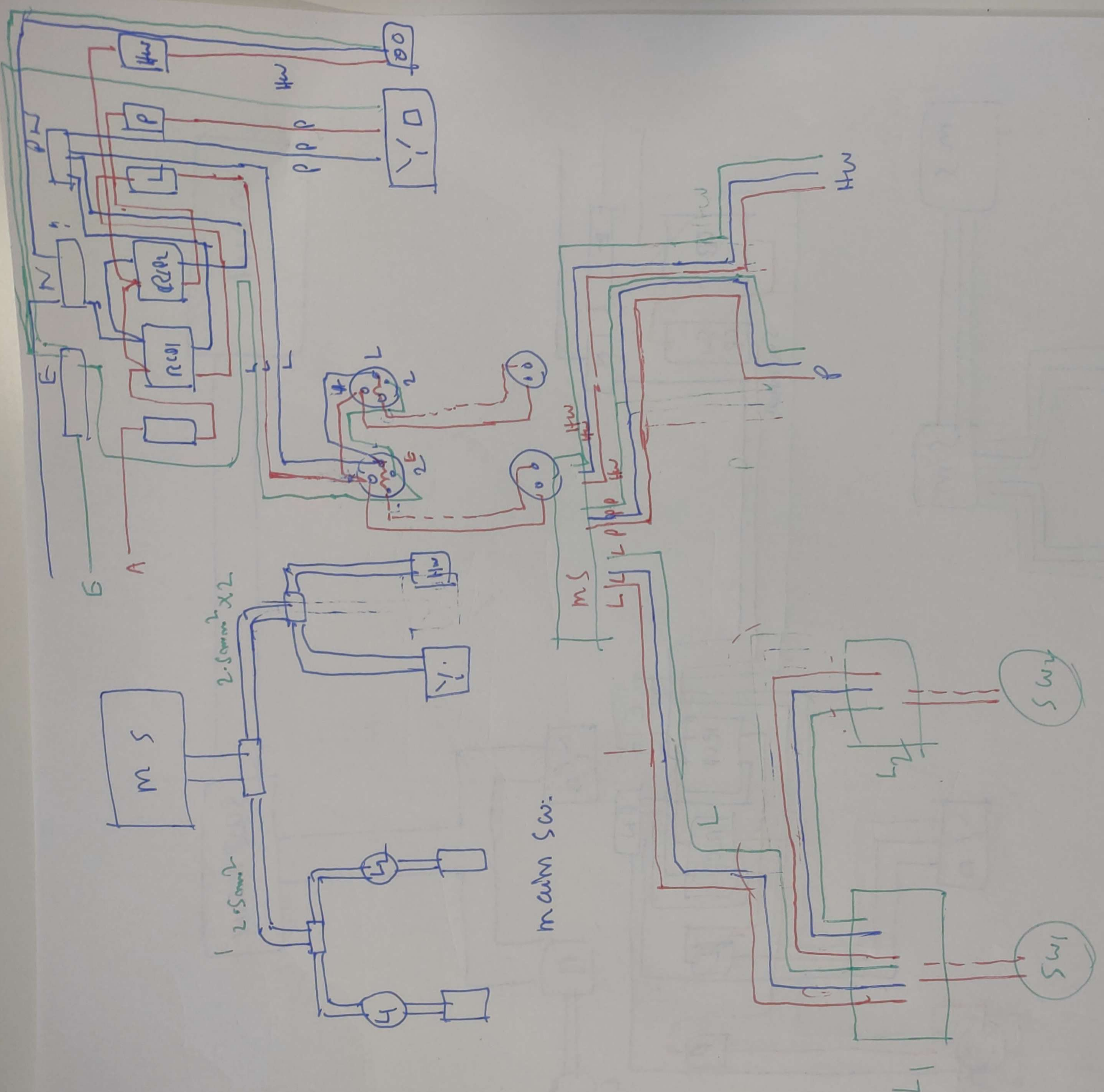
L

L

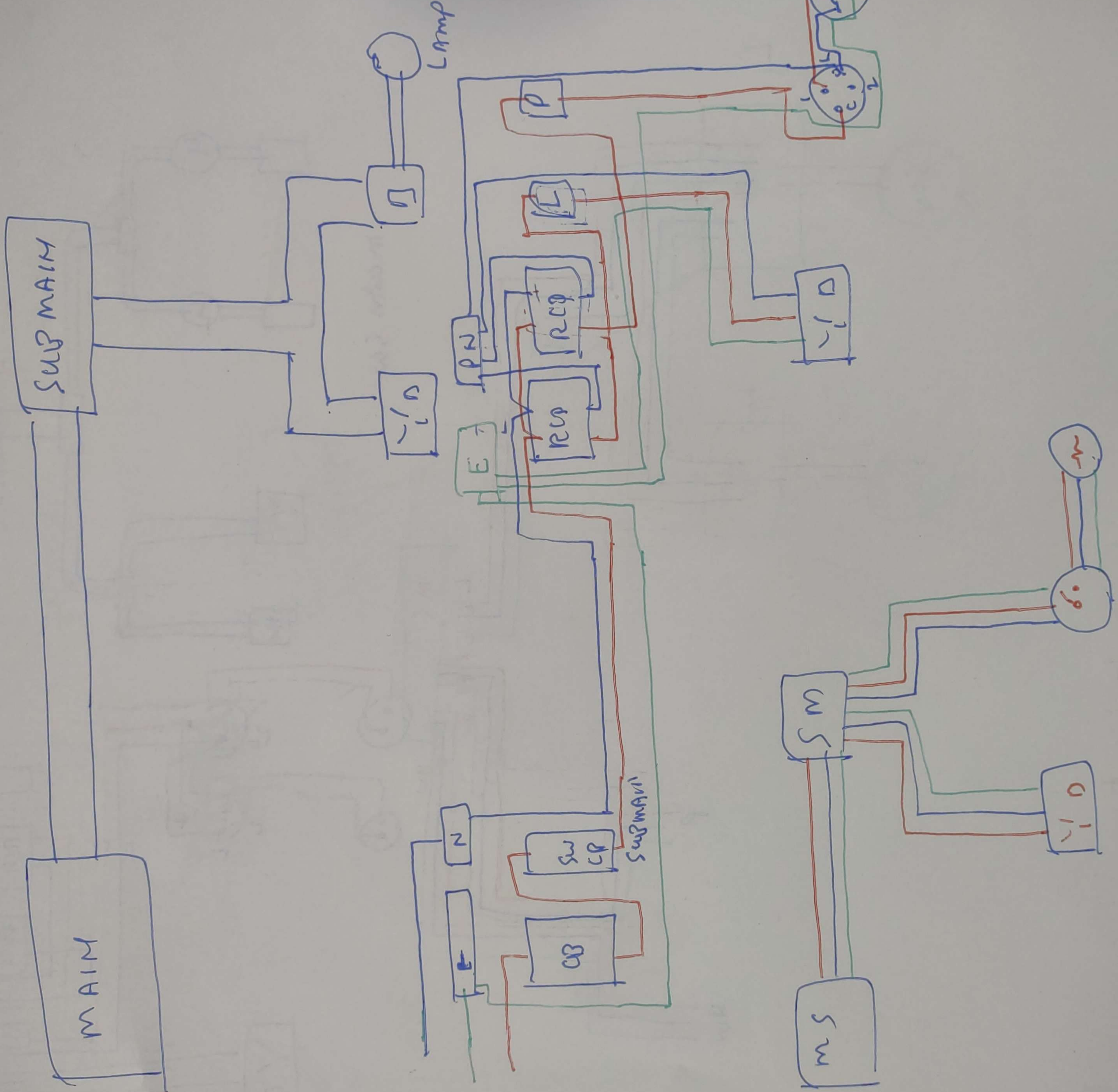
L



Loop at light



Loop at light



Loop at Switch.