

**I006+ H012 Online Test**

Ref501

\_\_\_\_\_ provides the operation necessary to transform the sensor output into a form necessary to interface with other elements of process control loop.

A	Analogue signal conditioning	B	Digital signal conditioning
C		D	
Answer			

Ref502

Wheatstone bridge is \_\_\_\_\_ basic signal conditioner.

A	Active	B	Passive
C		D	
Answer			

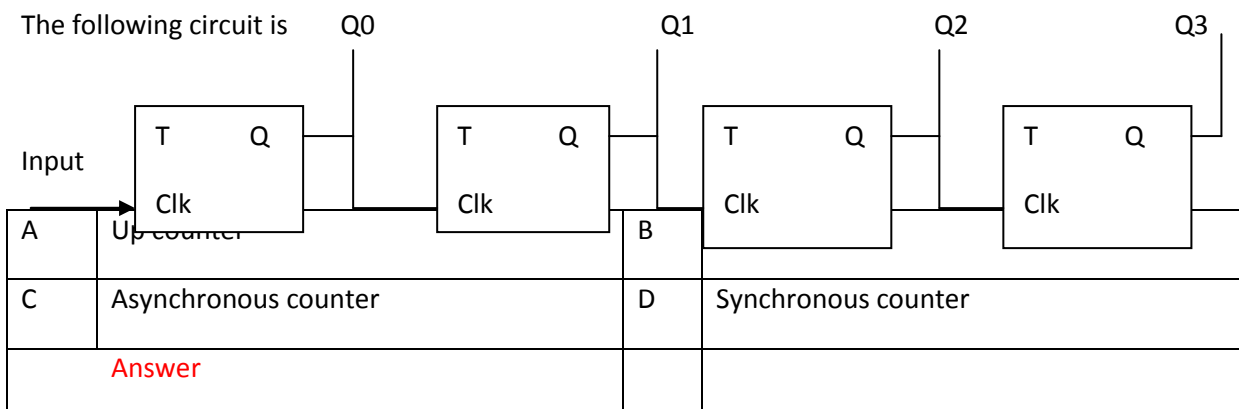
Ref505

$V_{out} = (1 + R_2/R_1) V_{in}$  is an equation for

A	Non inverting amplifier	B	Inverting amplifier
C	Emitter follower	D	Summing amplifier
Answer			

Ref508

The following circuit is



Ref511

In display multiplexing, the switches are used to connect the selected binary value to\_\_\_\_\_.

A	Encoder	B	Analyzer
C	Decoder	D	Follower
Answer			

Ref514

This table stands for

A	B	C
0	0	1
0	1	0
1	0	0
1	1	0

A	AND	B	OR
C	NOT	D	NOR
Answer			

Ref517

001 101 100 is equal to

A	148 <sub>8</sub>	B	124 <sub>8</sub>
C	154 <sub>8</sub>	D	145 <sub>8</sub>
Answer			

Ref520

Edge triggering happens in

A	D – flip flop	B	JK – flip flop
C	SR – flip flop	D	Master slave – flip flop
Answer			

Ref523

A shift register, moving data to right is

A	Divider	B	Multiplier
C	Multiplexer	D	De-multiplexer
Answer			

Ref526

Decimal equivalence of  $0.11010_2$  is

A	$0.6250_2$	B	$0.3125_2$
C	$0.5250_2$	D	$0.2250_2$
Answer			

Ref529

Find the digital word that results from a 3.127 V input to a 5 bit ADC with a 5 V reference.

A	$01001_2$	B	$10110_2$
C	$10100_2$	D	$11111_2$
Answer			

Ref532

Find the successive approximation ADC output for a 4 bit converter to a 3.217 V input if the Reference voltage is 5V.

A	0101 <sub>2</sub>	B	0110 <sub>2</sub>
C	1010 <sub>2</sub>	D	1110 <sub>2</sub>
Answer			

Ref535

Thermocouple consists of two \_\_\_\_\_ metals

A	Similar	B	Dissimilar
C		D	
Answer			

Ref538

Vibration to electrical signal conversion principle is applied in

A	Strain gauge	B	Piezo electric effect
C	Linear variable differential transformer	D	Electric field proximity sensor
Answer			

