

# How to Build a GPS Jammer at Your Home

Signal Jammers (<https://jammermaster.com/>) / Blog (<https://jammermaster.com/blog/>) / How to Build a GPS Jammer at Your Home

📅 November 27, 2023 👤 Technical Team



Table of Contents	^
1. Step 1: Required Components & Materials	
2. Step 2: Building the Circuit	
3. Step 3: Incorporating a VU Meter	
4. Step 4: Testing	
5. Use GPS Jammer Responsibly	

Here's a step by step guide on how to build your own GPS jammer (<https://jammermaster.com/gps-jammer/>). Below are the main steps we are going to introduce in this article:

Step 1	Required Components & Materials
Step 2	Building the Circuit
Step 3	Incorporating a VU Meter
Step 4	Testing Your GPS Jammer

## Step 1: Required Components & Materials

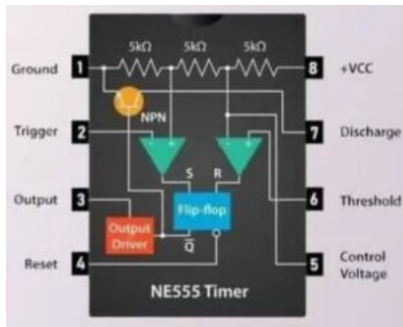
To undertake this project, you'll need to assemble a variety of components. The list below details each item along with a brief explanation of its purpose.

Component	Function
NE555 Timer IC	Integrated circuit for creating waveforms and time delays.
47 pF Ceramic Capacitor	Capacitor for storing and releasing electrical energy to stabilize voltage.
0.01 µF Ceramic Capacitor	Capacitor for storing and releasing electrical energy to stabilize voltage.

10 KO Resistor <a href="https://jammermaster.com/">Home (https://jammermaster.com/)</a>	Resistor to limit electrical current flow and set currents. <a href="#">Products</a> <a href="#">Quick Filter</a> <a href="#">Resources</a>
220 Ω Resistor <a href="https://jammermaster.com/contact-us/">Contact (https://jammermaster.com/contact-us/)</a>	Resistor to limit electrical current flow and set currents.
100 μF Electrolytic Capacitor	Capacitor with high charge storage capacity to smooth out voltage fluctuations.
Red LED	Light-emitting diode used as a signal or power indicator.
9-Volt Battery	Power source for the assembled components.
Breadboard	Device for prototyping and testing circuit designs without soldering.
GPS Receiver Module and Antenna	Components used for testing the effect of the assembled circuit.

## Step 2: Building the Circuit

The breadboard will be your primary workspace for this project. It provides a convenient platform for testing your circuit without requiring any soldering.



Review the schematic diagram for the GPS jammer before inserting any components.

Begin by inserting the NE555 timer IC onto the breadboard. Follow the schematic diagram to place each resistor, capacitor, and LED in their correct positions. Use jumper wires to establish the necessary connections between them.

Power the circuit with the **9-volt battery**. If the red LED lights up, it indicates that the circuit is functioning correctly and generating the desired radio frequency signal capable of disrupting the GPS frequencies.

## Step 3: Incorporating a VU Meter

A Volume Unit (VU) meter measures and displays the strength of the radio frequency signal your circuit generates. Follow below step to install your VU meter.

Place the VU meter's input terminals in line with the output of your jammer circuit. This will allow the meter to capture the exact strength of the signal being emitted. Ensure the connections are secure to avoid inaccurate readings. Once integrated, power up your circuit. The VU meter's needle or LED indicators should respond, displaying the signal's strength in decibels (dB). Familiarize yourself with the readings. A higher dB indicates a stronger signal.

Some VU meters allow for calibration. This ensures that you get precise readings, optimizing the performance of your GPS jammer.

## Step 4: Testing

Testing is the final step in your project. Prior to testing, ensure your environment is safe and free from sensitive electronic devices to avoid unintended interference. Then following below process to test your jammer.

Turn on the jammer and observe any indicators (like the red LED) for feedback on its operational status. Use a GPS receiver module or device with GPS functionality for testing. Ensure the device has a clear signal before introducing the jammer. Monitor the GPS device as you bring the jammer closer. Signal disruption or loss indicates the jammer is working. Look for signs like slower update times on the GPS module or a "searching for signal" status. There might be a noticeable drop in the number of satellites the GPS module detects.

## Use GPS Jammer Responsibly

Home (<https://jammermaster.com/>) Products Quick Filter Resources

While building a GPS jammer at home as a DIY project, it's important to be mindful of the legal and ethical considerations. GPS jammers are illegal in many countries, including the United States, due to their potential to interfere with essential communication networks and emergency services. Always prioritize safety and responsible use of technology.

### More Articles



### What is the essence of a signal jammer? (<https://jammermaster.com/blog/what-is-the-essence-of-a-signal-jammer/>)

A cell phone jammer, popularly known as a phone signal blocker, is a device that completely blocks mobile communications within a certain radius. Such devices

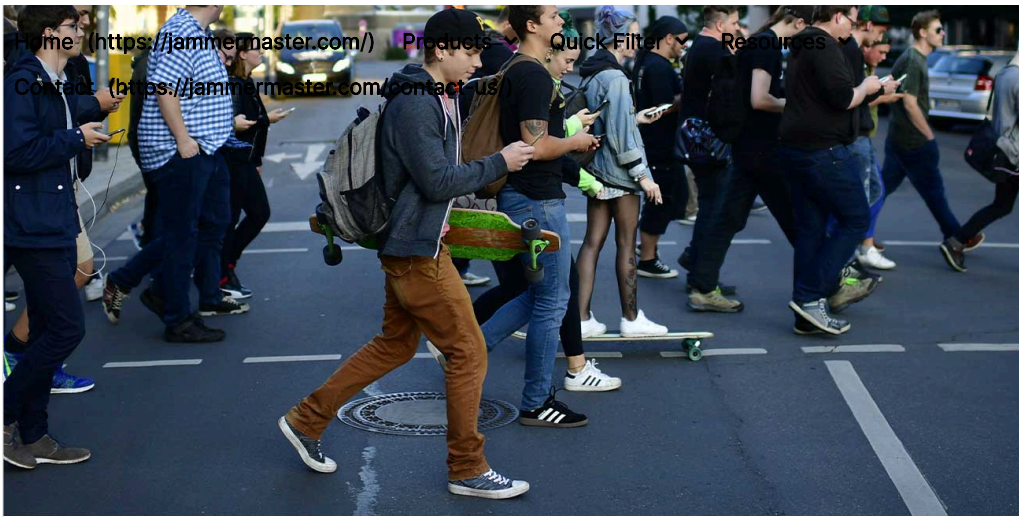
15 August 2022 • No Comments



### Do Signal Jammers Really Work? (<https://jammermaster.com/blog/do-signal-jammers-really-work/>)

The signal jammer is a powerful device that can block any radio wave transmission. The army of the USA first used it during the Gulf

10 August 2022 • No Comments



### Fight and Shoot Drone – Jammers and countering drones (<https://jammermaster.com/blog/fight-and-shoot-drone-jammers-and-countering-drones/>)

In the USA, more and more drones are in use, which is used in different areas to support private individuals and companies in a variety

14 November 2022 • No Comments



Supply high quality signal jamming devices since 2010. The only jammer store you can trust.

<https://jammermaster.com/>  
[www.facebook.com/jammermaster](https://www.facebook.com/jammermaster)  
[www.instagram.com/jammermaster](https://www.instagram.com/jammermaster)  
[www.linkedin.com/company/jammermaster](https://www.linkedin.com/company/jammermaster)  
[www.pinterest.com/jammermaster](https://www.pinterest.com/jammermaster)  
[www.youtube.com/channel/UC...](https://www.youtube.com/channel/UC...)  
[www.tumblr.com/jammermaster](https://www.tumblr.com/jammermaster)  
[www.pinterest.com/jammermaster](https://www.pinterest.com/jammermaster)  
[www.facebook.com/jammermaster](https://www.facebook.com/jammermaster)  
[www.instagram.com/jammermaster](https://www.instagram.com/jammermaster)  
[www.linkedin.com/company/jammermaster](https://www.linkedin.com/company/jammermaster)  
[www.pinterest.com/jammermaster](https://www.pinterest.com/jammermaster)  
[www.youtube.com/channel/UC...](https://www.youtube.com/channel/UC...)  
[www.tumblr.com/jammermaster](https://www.tumblr.com/jammermaster)

1440 Woodmont NW #557 Atlanta, GA 30318  
 (404) 444-1111  
 sales@jammermaster.com  
 jammermaster.com

### Quick Links

- Feature Compare(<https://jammermaster.com/signal-jammer-compare/>)
- Shipping Method(<https://jammermaster.com/shipping-method/>)
- Wholesale(<https://jammermaster.com/signal-jammer-wholesale/>)
- Sitemap([https://jammermaster.com/sitemap\\_index.xml](https://jammermaster.com/sitemap_index.xml))

[FAQ\(https://jammermaster.com/faq/\)](https://jammermaster.com/faq/)

[Home \(https://jammermaster.com/\)](https://jammermaster.com/)

[Products](#) ▾

[Quick Filter](#) ▾

[Resources](#) ▾

[Contact \(https://jammermaster.com/contact-us/\)](https://jammermaster.com/contact-us/)

## Categories

[All Products\(https://jammermaster.com/shop/\)](https://jammermaster.com/shop/)

[Cell Phone Jammer\(https://jammermaster.com/cell-phone-jammer/\)](https://jammermaster.com/cell-phone-jammer/)

[WiFi Jammer\(https://jammermaster.com/wifi-jammer/\)](https://jammermaster.com/wifi-jammer/)

[GPS Jammer\(https://jammermaster.com/gps-jammer/\)](https://jammermaster.com/gps-jammer/)

[Drone Jammer\(https://jammermaster.com/drone-jammer/\)](https://jammermaster.com/drone-jammer/)

## Company

[About Us\(https://jammermaster.com/about-us/\)](https://jammermaster.com/about-us/)

[Contact Us\(https://jammermaster.com/contact-us/\)](https://jammermaster.com/contact-us/)

[Knowledge Base\(https://jammermaster.com/kb/\)](https://jammermaster.com/kb/)

[Regulations\(https://jammermaster.com/regulations/\)](https://jammermaster.com/regulations/)

[Blog\(https://jammermaster.com/resources/\)](https://jammermaster.com/resources/)

## Support

[Login / Register\(https://jammermaster.com/my-account/\)](https://jammermaster.com/my-account/)

[Forgot Password\(https://jammermaster.com/my-account/lost-password/\)](https://jammermaster.com/my-account/lost-password/)

[Frequency Checker\(https://jammermaster.com/frequency-checker/\)](https://jammermaster.com/frequency-checker/)

[Refund & Return\(https://jammermaster.com/refund\\_returns/\)](https://jammermaster.com/refund_returns/)

[Privacy Policy\(https://jammermaster.com/privacy-policy/\)](https://jammermaster.com/privacy-policy/)

Jammer Master © 2024. Premium Signal Jammer Supplier Since 2010.

