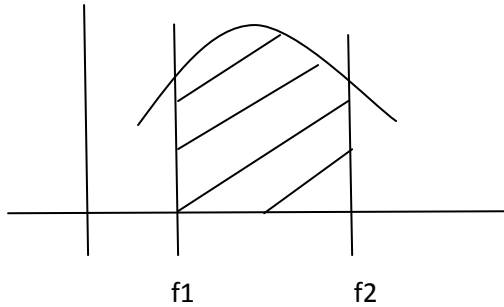


H026 Online Test

Ref473

Gain



The given characteristics curve is

A	High pass filter	B	Low pass filter
C	Band pass filter	D	Band stop filter
Answer			

Ref478

This equation is used for

1

$$f_c = \frac{1}{2\pi \sqrt{R_1 R_2 C_1 C_2}}$$

$$6.28 \sqrt{R_1 R_2 C_1 C_2}$$

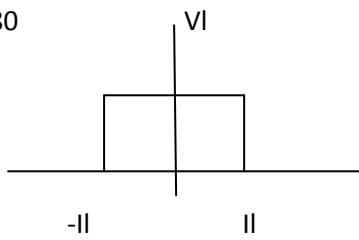
A	First order high pass Butterworth filter	B	First order low pass Butterworth filter
C	Second order low pass Butterworth filter	D	Second order high pass Butterworth filter
Answer			

Ref479

In 4 quadrant drive system, quadrant 4 is a function of

A	Reversed braking	B	Forward driving
C	Reversed driving	D	Forward braking
Answer			

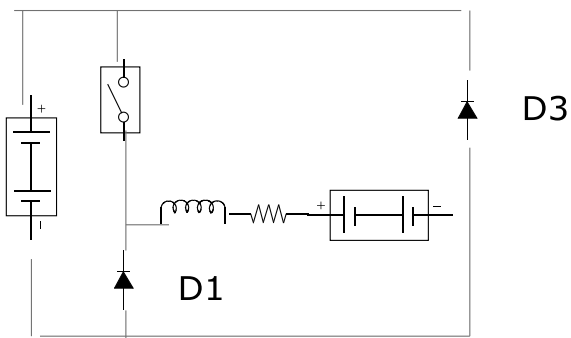
Ref480



This characteristics stands for

A	Class A chopper	B	Class B chopper
C	Class C chopper	D	Class D chopper
Answer			

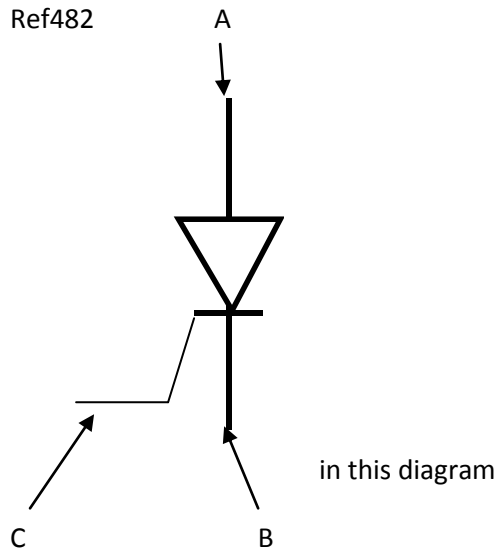
Ref481



This is an equivalent circuit for

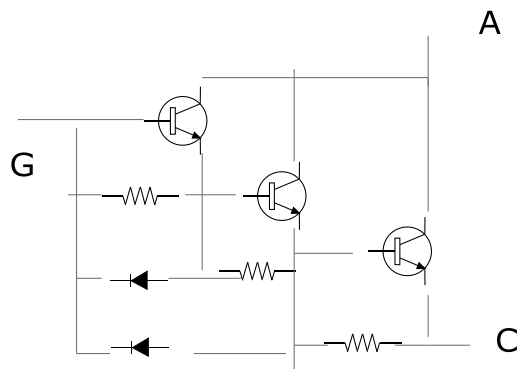
A	Class A chopper	B	Class B chopper
C	Class C chopper	D	Class D chopper
Answer			

Ref482



A	A-Anode, B= Cathode, C- Gate	B	A-Gate, B= Cathode, C- Anode
C	A-Cathode, B= Anode, C- Gate	D	
Answer			

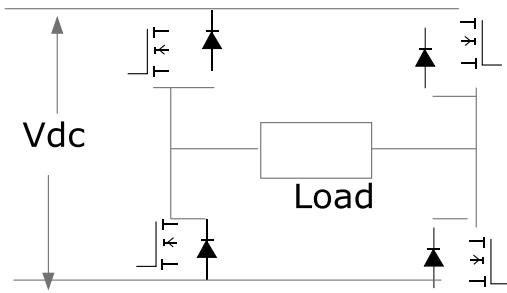
Ref483



This circuit is

A	Single stage Darlington pair transistor	B	Two stage Darlington pair transistor
C	Three stage Darlington pair transistor	D	
Answer			

Ref484



This circuit makes

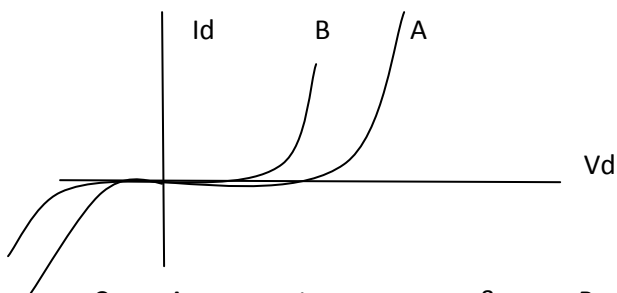
A	DC-DC converter	B	AC-DC converter
C	DC-AC Inverter	D	
Answer			

Ref485

These converters are used to obtain a variable AC output voltage from a _____ and a single phase converter with a triac .

A	Variable dc source	B	Fixed dc source
C	Variable ac source	D	Fixed ac source
Answer			

Ref486



Curve A represents _____ & curve B represents _____.

A	Hot carrier diode, PN Junction diode	B	PN Junction diode, Hot carrier diode
C			
Answer			

Ref487

6 steps inverter can be used for

A	Single phase AC motor	B	DC motor
C	Three phase AC motor		
Answer			

Ref488

RMS current produced by current source inverter is

A	$I_{1\text{rms}} = 0.5 I_d$	B	$I_{1\text{rms}} = 0.78 I_d$
C	$I_{1\text{rms}} = 0.707 I_d$	D	$I_{1\text{rms}} = 1.4142 I_d$
Answer			

