

H025+H026+I006 Online Test

Ref451

Differential amplifier can _____ noise signals that are common to both inputs.

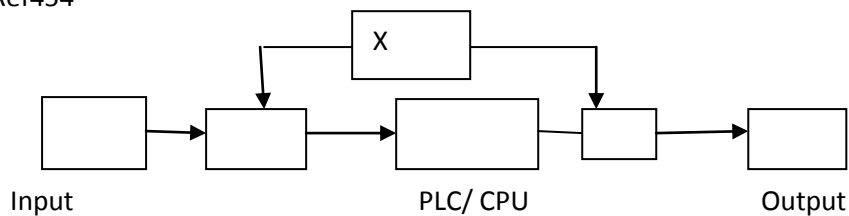
A	accept	B	reject
C	rectify	D	reduce
Answer			

Ref452

Sample and hold circuit is an example of

A	BJT amplifier	B	FET amplifier
C	Multi stages operational amplifier	D	Feedback amplifier
Answer			

Ref454



The stage X is

A	Power supply	B	Amplifier
C	Rectifier	D	Analyzer
Answer			

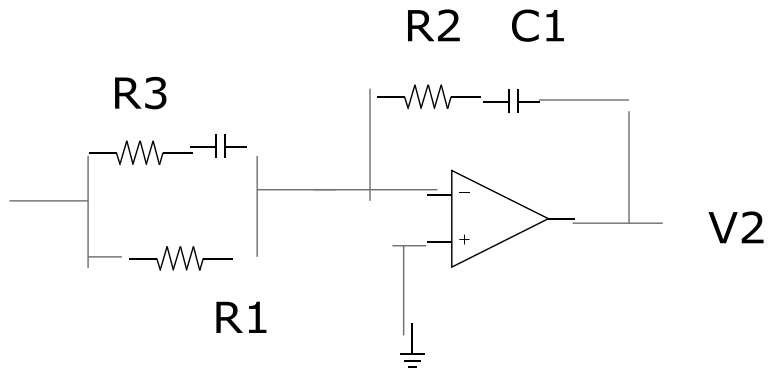
Ref456

Which device is not a final control element?

A	Solenoid	B	Relay
C	Rectifier	D	Solid state switching device
Answer			

Ref458

The following circuit is



A	Proportional control	B	Integral control
C	Derivative control	D	PID control
Answer			

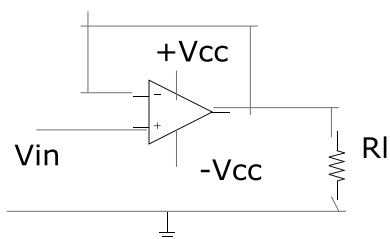
Ref460

+Vo (sat) when Vin exceeds Vref & -Vo (ref) when Vin is less than V ref

A	Non inverting amplifier	B	Inverting amplifier
C	Differential amplifier	D	
Answer			

Ref462

The following circuit is



A	Voltage follower	B	Non inverting amplifier
C	Inverting amplifier	D	
Answer			

Ref464

The following equation is used for

$$V_o = (R_f/R_1) (V_{in 2} - V_{in 1})$$

A	Summing amplifier	B	Differential amplifier
C	Cascade amplifier	D	
Answer			

Ref466

Common mode rejection ratio is

A	CMRR = A_c / A_d	B	CMRR = A_d / A_c
C	CMRR = $A_c - A_d$	D	CMRR = $A_c + A_d$
Answer			

Ref468

If 2V p-p square wave at a frequency of 50HZ is applied to voltage follower at slew rate 0.5 V/ μ s.

Calculate (a) Period (b) Time taken for output to change by 2V

A	20 μ s, 4 μ s	B	10 μ s, 2 μ s
C	5 μ s, 1 μ s	D	40 μ s, 16 μ s
Answer			

Ref470

Precision full wave rectifier utilizes

A	BJT Amplifier	B	FET Amplifier
C	Operational Amplifier	D	
Answer			

Ref472

The Wien bridge amplifier frequency is

A	$f_o = 1/ 3.14 RC$	B	$f_o = 1/ 6.28RC$
C	$f_o = 6.28 RC$	D	$f_o = 1/ RC$
Answer			